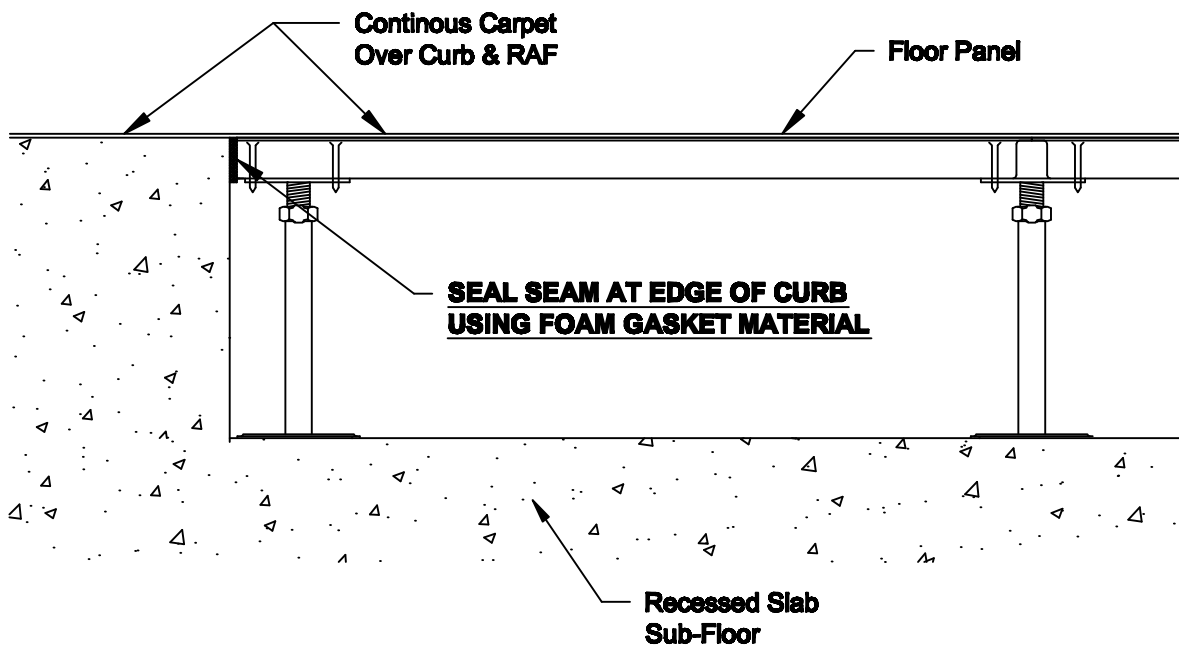


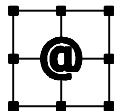
WITH NON-CONTINUOUS FLOOR COVERINGS



WITH CONTINUOUS FLOOR COVERINGS

AIR PLENUM SEALING
SEAMS AT RAF &
CURB OF RECESSED SLAB

NOTE: Cut-Sheet drawing and specifications are subject to change without prior notice.



ASM Modular System Inc.®

9500 Industrial Center Dr.
 Ladson, SC, 29468

Tel: 843-534-1110
 Fax: 843-534-1111

www.asmproducts.com

9/08

CS - 9756